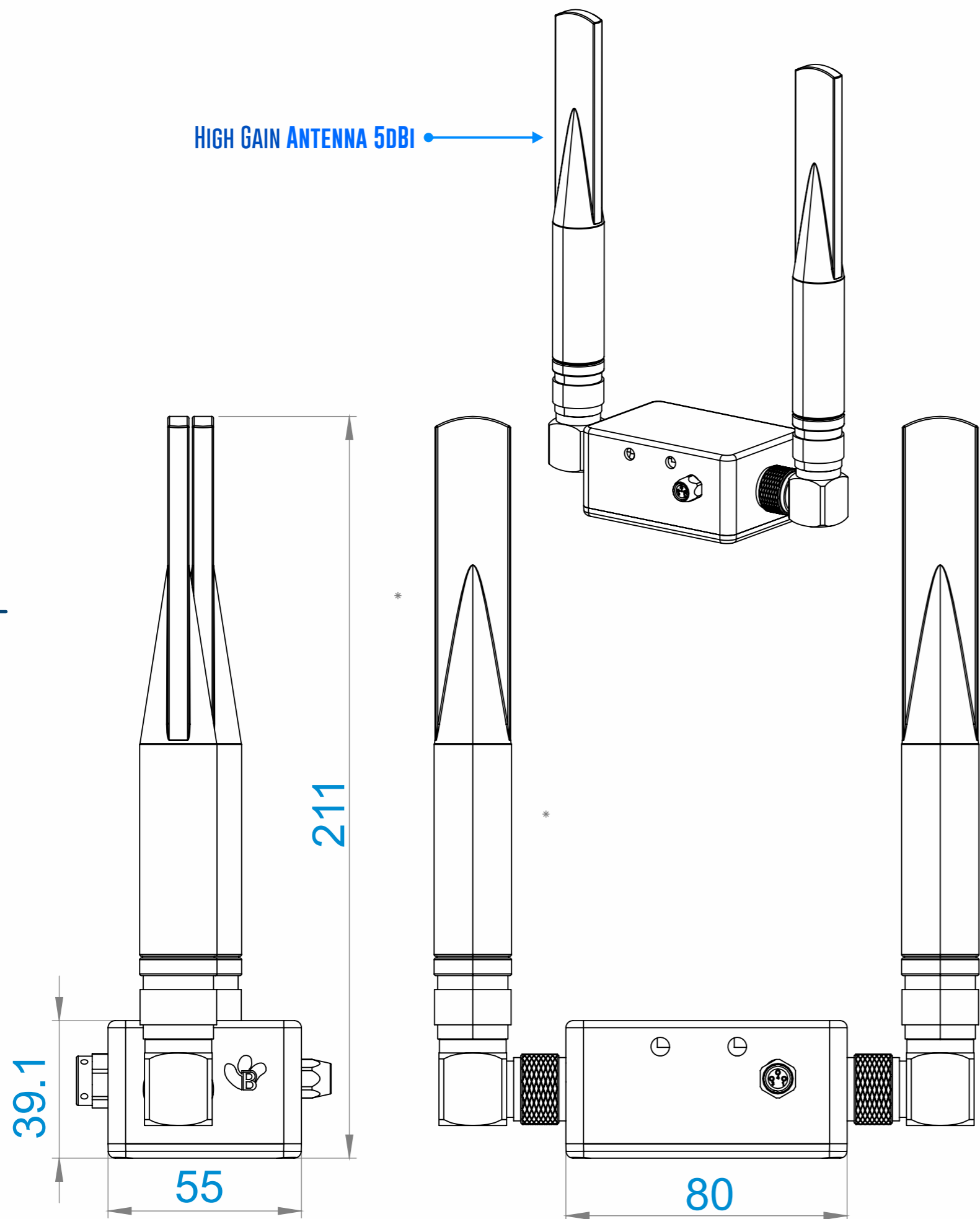



F
E
D
C
B
A



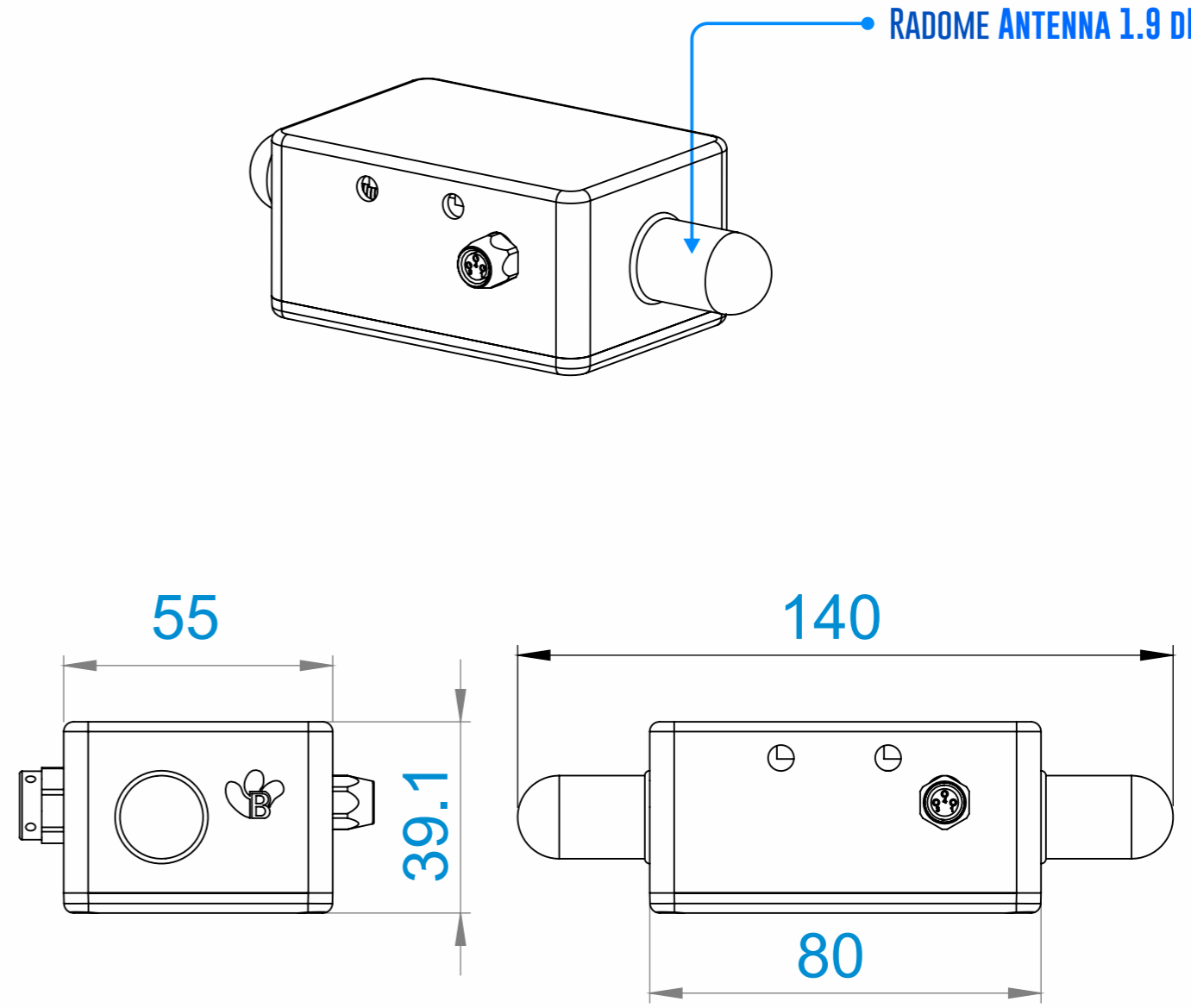
HIGH GAIN ANTENNA 5DBI



UNIT OF MEASUREMENT	MILLIMETER (mm)
SCALE	3:4
DRAWING	T.M
DATE	12-12-2024
PRODUCT	SMARTSENSOR



F
E
D
C
B
A



RADOME ANTENNA 1.9 DBI